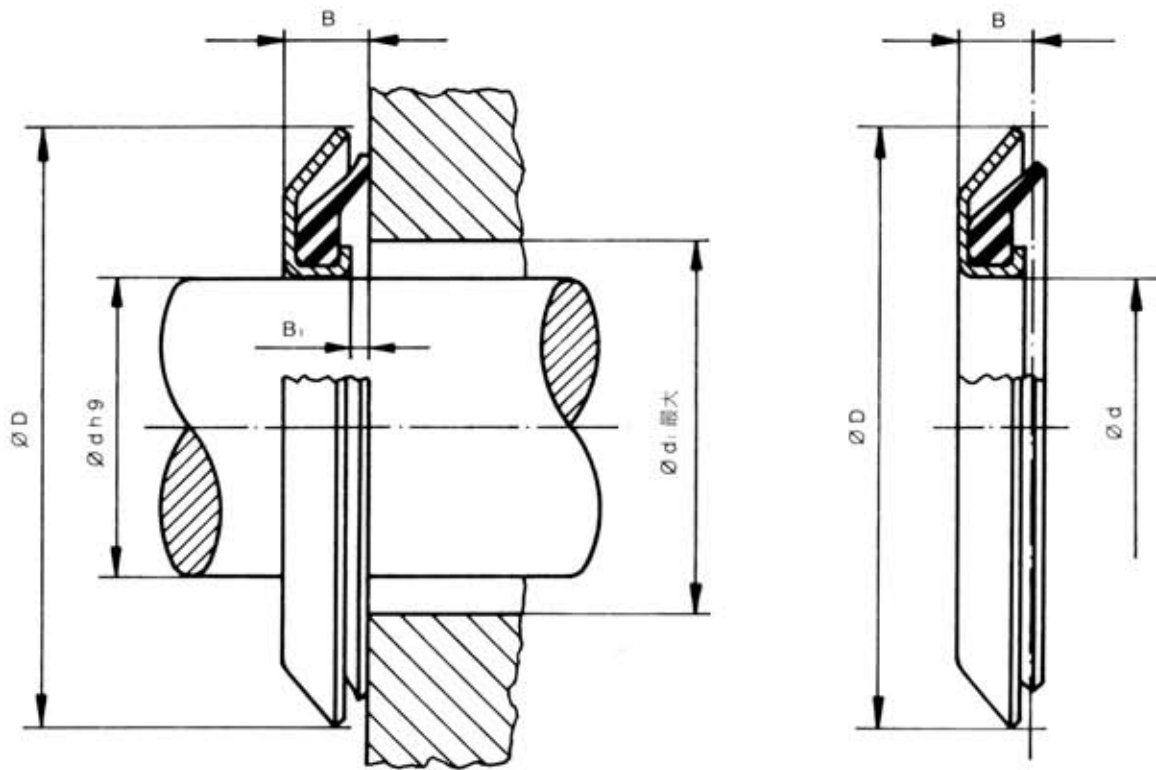


RBタイプ



取付寸法と型番

$\varnothing d$	$\varnothing D$	B	B_1	$\varnothing d_1$	型番	$\varnothing d$	$\varnothing D$	B	B_1	$\varnothing d_1$	型番
10	24	3.5	1.0	15	RB 10	53	73	5.5	1.0	61	RB 53
12	26	3.5	1.0	17	RB 12	55	75	5.5	1.0	63	RB 55
15	30	4.0	1.0	21	RB 15	58	78	5.5	1.0	66	RB 58
16	32	4.0	1.0	23	RB 16	60	80	5.5	1.0	68	RB 60
17	32	4.0	1.0	23	RB 17	62	82	5.5	1.0	70	RB 62
18	33	4.0	1.0	24	RB 18	65	85	5.5	1.0	73	RB 65
20	35	4.0	1.0	26	RB 20	68	88	5.5	1.0	76	RB 68
22	40	4.0	1.0	31	RB 22	70	90	5.5	1.0	78	RB 70
24	40	4.0	1.0	31	RB 24	72	92	5.5	1.0	80	RB 72
25	40	4.0	1.0	31	RB 25	75	95	5.5	1.0	83	RB 75
26	40	4.0	1.0	31	RB 26	78	98	5.5	1.0	86	RB 78
28	43	4.0	1.0	34	RB 28	80	100	5.5	1.0	88	RB 80
30	47	4.5	1.0	37	RB 30	85	105	5.5	1.0	93	RB 85
32	49	4.5	1.0	39	RB 32	90	110	5.5	1.0	98	RB 90
35	52	4.5	1.0	42	RB 35	95	115	5.5	1.0	103	RB 95
40	57	4.5	1.0	47	RB 40	100	120	5.5	1.0	108	RB 100
45	62	4.5	1.0	52	RB 45	105	125	5.5	1.0	113	RB 105
48	65	4.5	1.0	55	RB 48	125	148	6.5	1.0	133	RB 125
50	70	5.5	1.0	58	RB 50	135	159	6.5	1.0	145	RB 135
52	72	5.5	1.0	60	RB 52						